

EH-EL58B / C / H / T INCREMENTAL ENCODERS

Incremental encoders

Standard series of encoders ø58 for industrial environments with excellent mechanical resistance; possibility of high radial and axial load on the shaft. They can be assembled with flanges or servo fasteners.

- Resolutions up to 10000 imp/turn with zero for the EL series and up to 1024 imp/turn for the EH series
- Different electronic configurations available with power supply up to 28 Vdc for the EL series and up to 24 Vdc for the EH series
- Max output frequency up to 300 KHz for the EL series and up to 100KHz for the EH series
- Output : cable and connector
- Different flanges available
- Speed rotation up to 6000 rpm
- Protection up to IP66



Ordering codes

EL 58 B 1000 Z 5/28 P 6 X 6 M R . XXX

In case of particular Customer variant separate with a full stop

EL = incremental encoder EL series
EH = incremental encoder EH series

58 = body dimension

B = mod.EH-EL58B
C = mod.EH-EL58C
H = mod.EH-EL58H
T = mod.EH-EL58T

Type of flanges

from **1** to **10000** imp./turn EL series
from **40** to **1024** imp./turn EH series

Resolutions

N.B.: For impulse availability contact directly our offices

S = without zero impulse
Z = with zero impulse

Zero impulse

5 ÷ 28 = EL series power supply
5 / 8 ÷ 24 = EH series power supply

Encoder power supply (Vdc)

N.B.: LINE DRIVER available only with 5 Vdc or 8 ÷ 24 Vdc power supply

XXX = Special Customer variants indicated by a progressive number from 001 to 999

R = radial
A = axial

P = standard output cable 1.5 m
M = connector MS3106E 16S-1S or 18-1S
J = connector JMSP 1607 F or 1610 F

3 = 3000 with IP66
6 = 6000

R.P.M.

X = standard IP54
S = optional IP66

Protection

6 = ø 6 mm EH-EL58B / 58H
8 = ø 8 mm EH-EL58B / 58H / 58T
10 = ø 10 mm EH-EL58B / 58C / 58H / 58T
12 = ø 12 mm EH-EL58T

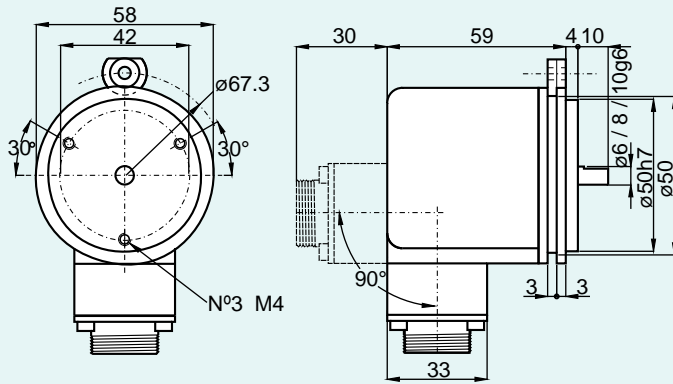
Shaft diameter

N = NPN
C = NPN OPEN COLLECTOR
P = PUSH PULL
L = LINE DRIVER

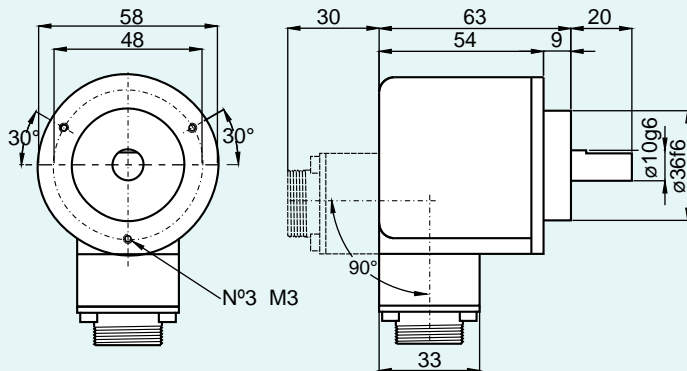
Electronic output configuration

N.B.: For the optionals on the output configurations see the output incremental connections card

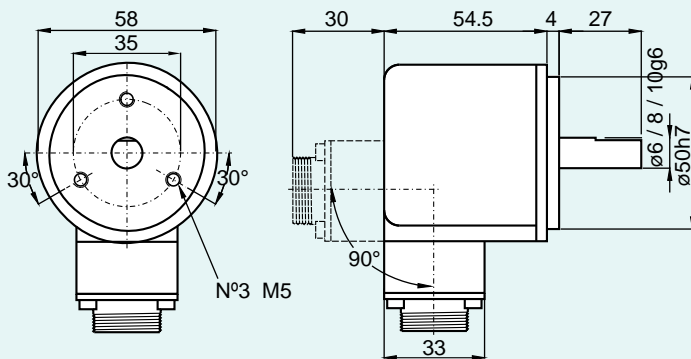
EL-EH58B



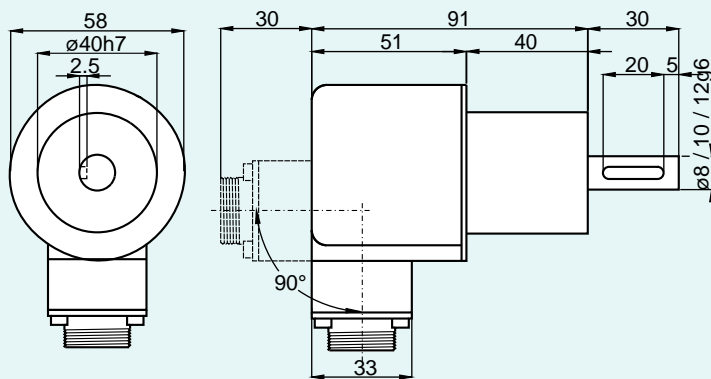
EL-EH58C



EL-EH58H



EL-EH58T



Electronic Characteristics EL series

Resolutions	from 1 to 10000 imp / turn
Power supply	5 \pm 28 Vdc N.B.: LINE DRIVER only 5 / 8-24 Vdc power supply
Current consumption without load	80 mA
Max output current	50 mA per channel 20 mA per channel with LINE DRIVER
Electronic output configuration	NPN / NPN OPEN COLLECTOR / PUSH PULL / LINE DRIVER
Max output frequency	Max 300 KHz $F = \frac{RPM \times Resolutions}{60}$

Electronic Characteristics EH series

Resolutions	from 40 to 1024 imp / turn
Power supply	5 Vdc / 8 \pm 24 Vdc N.B.: LINE DRIVER only 5 / 8-24 Vdc power supply
Current consumption without load	50 mA bidirectional 100 mA bidirectional with zero
Max commutable current	50 mA per channel 20 mA per channel with LINE DRIVER
Electronic output configuration	NPN / NPN OPEN COLLECTOR / PUSH PULL / LINE DRIVER
Max output frequency	Max 100 KHz $F = \frac{RPM \times Resolutions}{60}$

Mechanical Characteristics

Shaft diameter (mm)	$\phi 6/8/10g6$ EH-EL58B / 58H $\phi 10g6$ EH-EL58C $\phi 8/10/12g6$ EH-EL58T
Protection	IP54 - Standard Ip66 - Optional
R.P.M. Max	6000 with IP54 3000 with Ip66
Max shaft load	200N (20 Kp) axial 200N (20 Kp) radial 10N (1 Kp) axial 20N (2 Kp) radial with $\phi 6$ mm shaft
Shock	50 G for 11 msec (with flexile disc) 20 G for 11 msec (with glass disc)
Vibrations	10G 10 \div 2000 Hz
Bearings life	⁹ 10 revolutions
Bearings	n°2 Ball bearings
Shaft material	Stainless steel AISI303
Body material	Aluminium UNI 5076
Cover material	Special plastic reinforced with glass fibre
Operating temperature	0° \div +60°C
Storage temperature	-25° \div +70°C
Weight	310 g

IN005GB0803A

