



EH38A / B / D INCREMENTAL ENCODERS EH SERIES

Incremental encoder EH series

- Series of miniaturized encoders for general applications.
- Resolutions up to 1024 imp/turn
 - Different electronic configurations available with power supply up to 24 Vdc
 - Max output frequency up to 100 KHz
 - Output cable, eventual connector applied to the end of the cable
 - Different flanges available
 - Speed rotation up to 3000 rpm
 - Protection up to IP54



Ordering codes

EH 38 A 500 Z 5 N 6 X 3 P R . XXX

In case of particular Customer variant separate with a full stop

EH = incremental encoder EH series

38 = body dimension

A = mod.EH38A
B = mod.EH38B
D = mod.EH38D

Type of flanges

from **40 to 1024** imp./turn

Resolutions

N.B.: For impulse availability contact directly our offices

S = without zero impulse
Z = with zero impulse

Zero impulse

5
8 ÷ 24

Encoder power supply (Vdc)

XXX = Particular Customer variants indicated by a progressive number from 001 to 999

R = radial

P = output cable (standard length 0.5 m)

3 = 3000 max

R.P.M.

X = standard IP54

Protection

6 = ø6 mm

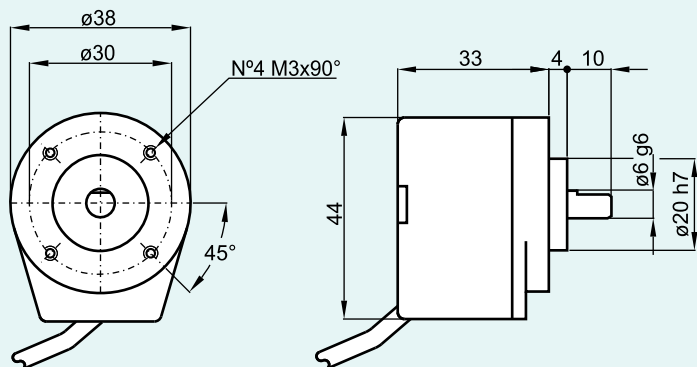
Shaft diameter

N = NPN
C = NPN OPEN COLLECTOR
P = PUSH PULL
L = LINE DRIVER

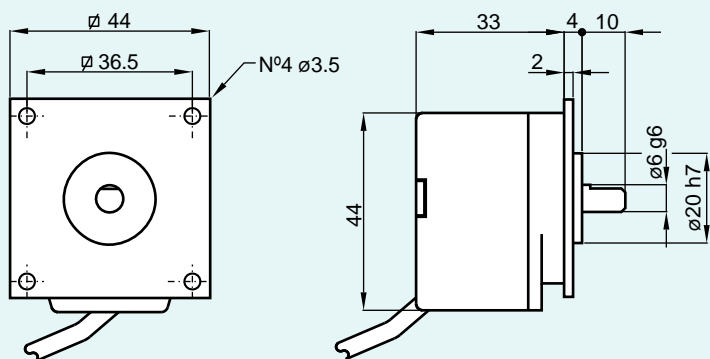
Electronic output configuration

N.B.: For the optionals on the output configurations see the output incremental connections card

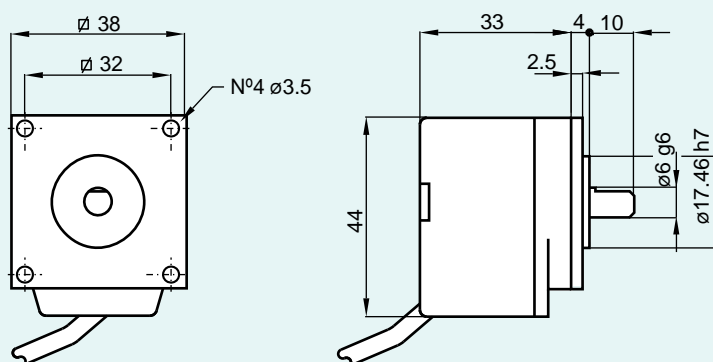
EH38A



EH38B



EH38D



Electronic Characteristics

Resolution	From 40 to 1024 impulses / turn
Power supply	5 Vdc / 8 ÷ 24 Vdc
Current consumption without load	50 mA bidirectional 100 mA bidirectional with zero
Max commutable current	50 mA per channel 20 mA per channel with LINE DRIVER
Electronic output configuration	NPN / NPN OPEN COLLECTOR / PUSH PULL / LINE DRIVER
Max output frequency	Max 100 KHz
Frequency calculation	$F = \frac{\text{RPM} \times \text{Resolution}}{60}$

Mechanical Characteristics

Shaft diameter (mm)	ø6 g6
Protection	IP54 - Standard
R.P.M. Max	3000 continous
Max shaft load	5N (0.5 Kp) axial 5N (0.5 Kp) radial
Shock	50 G for 11 msec
Vibrations	10G 10 ÷ 2000 Hz
Bearings life	10 ⁹ revolutions
Bearings	n°2 ball bearings
Shaft material	Stainless steel AISI303
Body material	Aluminium UNI 5076
Square flange material	Aluminium
Cover material	Special plastic reinforced with glass fibre
Operating temperature	0° ÷ +60°C
Storage temperature	-25° ÷ +70°C
Weight	100 g

