

EH120P INCREMENTAL ENCODERS



Ordering codes

EH 120 P 500 Z 5 N 50 X 3 P R . XXX

In case of particular Customer variant separate by a full stop

EH = incremental encoder EH series

120 = body dimension

P = with through hole

1024 - 2048 imp./turn

Resolutions

N.B.: For available impulse contact directly our offices

S = without zero impulse

Z = with zero impulse

Zero impulse

5 = 5 Vdc

8 ÷ 24 = from 8 to 24 Vdc

Encoder power supply(Vdc)

XXX = Special Customer variants indicated by a number from 001 to 999

R = radial

P = output cable (standard length 0.5 m)

3 = 3000 max

R.P.M.

X = standard IP54

Protection

40 = ø40 mm

50 = ø50 mm

60 = ø60mm

Shaft hole diameter

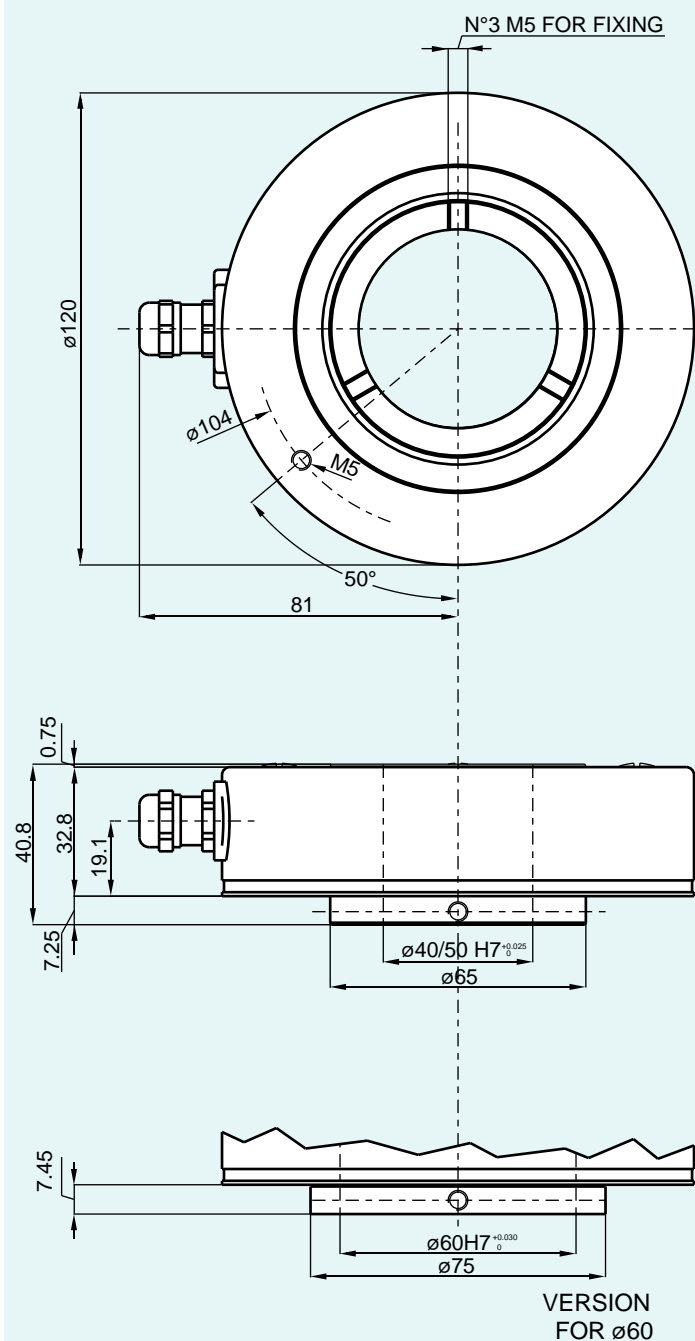
P = PUSH PULL

L = LINE DRIVER

Electronics output configuration

N.B.: For the options on the output configurations see the output incremental connections card

EH120



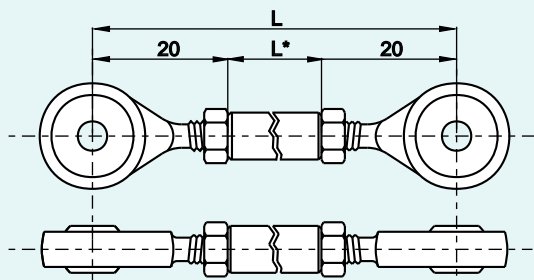
Electronic Characteristics

Resolutions	1024 - 2048 impulses / turn
Power supply	5 Vdc / 8 ÷ 24 Vdc
Current consumption without load	50 mA bidirectional 100 mA bidirectional with zero
Max output current	50 mA for channel 20 mA for channel with LINE DRIVER
Electronic output configuration	LINE DRIVER / PUSH PULL
Max output frequency	Max 100 KHz $F = \frac{\text{RPM} \times \text{Resolutions}}{60}$

Mechanical characteristics

Shaft diameter (mm)	ø40 / 50 / 60 H7
Protection	IP54 standard
R.P.M. Max	3000
Bearings	n°2 ball bearings
Shaft material	Aluminium D11S UNI9002/5
Cover material	Aluminium
Operating Temperature	0° ÷ +60°C
Storage Temperature	-25° ÷ +70°C
Weight	750 g

Accessori



Available length

L* = 30 mm	Ordering code: SN5A30
L* = 60 mm	Ordering code: SN5A60
L* = 90 mm	Ordering code: SN5A90

