

EH-EL63F / G / P INCREMENTAL ENCODERS

Incremental encoders

Standard series of encoders ø63 for industrial environments with excellent mechanical resistance; possibility of high radial and axial load on the shaft. They can be assembled with flanges or servo fasteners.

- Resolutions up to 10000 imp/turn with zero for the EL series and up to 1024 imp/turn for the EH series
- Different electronic configurations available with power supply up to 28 Vdc for the EL series and up to 24 Vdc for the EH series
- Max output frequency up to 300 KHz for the EL series and up to 100 KHz for the EH series
- Output : cable and connector
- Different flanges available
- Speed rotation up to 6000 Rpm
- Protection up to IP66 for encoder mod.G



Ordering Codes

EL 63 G B 1000 Z 5/28 N 8 X 3 M R . XXX

In case of particular Customer variant separate by a full stop

EL = incremental encoder EL series
EH = incremental encoder EH series

63 = body dimension

F = mod.EH-EL63F
G = mod.EH-EL63G Type of flanges
P = mod.EH-EL63P

N.B.: AVAILABLE ONLY WITH THE FOLLOWING EXECUTIONS

B = encoder depressed with metal ring
C = encoder depressed with back fixage (only for EL63P series)
N.B.: only executable with output cable

dfrom **1** to **10000** imp./turn EL63F/Gseries
from **1** to **2048** imp./turn EL63 series Resolutions
from **40** to **1024** imp./turn EH63F/G series
N.B.: For impulse availability contact directly our offices

S = without zero impulse
Z = with zero impulse Zero impulse

5 ÷ 28 = EL series power supply
5 / 8 ÷ 24 = EH series power supply Encoder power supply (Vdc)
N.B.: LINE DRIVER only available with 5 Vdc or 8 ÷ 24 Vdc power supply

XXX = Special Customer variants indicated by a progressive number from 001 to 999

R = radial
A = axial

P = standard output cable 1.5 m
M = connector MS3106E 16S-1S or 18-1S
J = connector JMSP 1607 F or 1610 F

3 = 3000 continuous R.P.M.

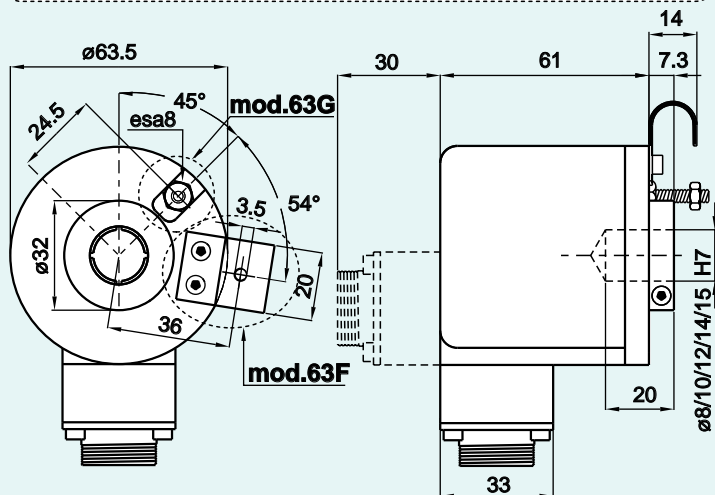
X = standard IP54
S = IP66 for model G Protection

8 = ø 8 mm
10 = ø 10 mm
12 = ø 12 mm
14 = ø 14 mm
15 = ø 15 mm Shaft diameter

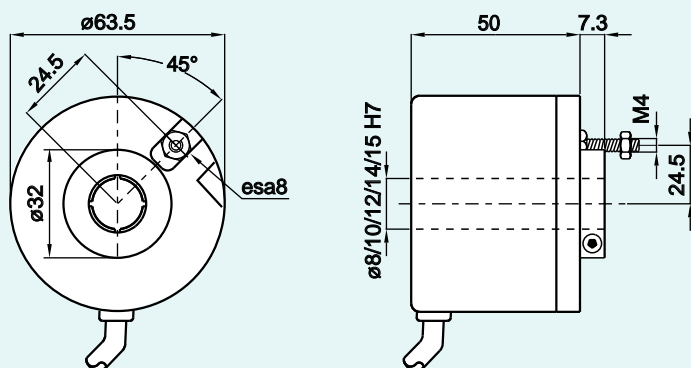
N = NPN
C = NPN OPEN COLLECTOR
P = PUSH PULL
L = LINE DRIVER Electronic output configuration

N.B.: For the optionals on the output configurations see the output incremental connections card

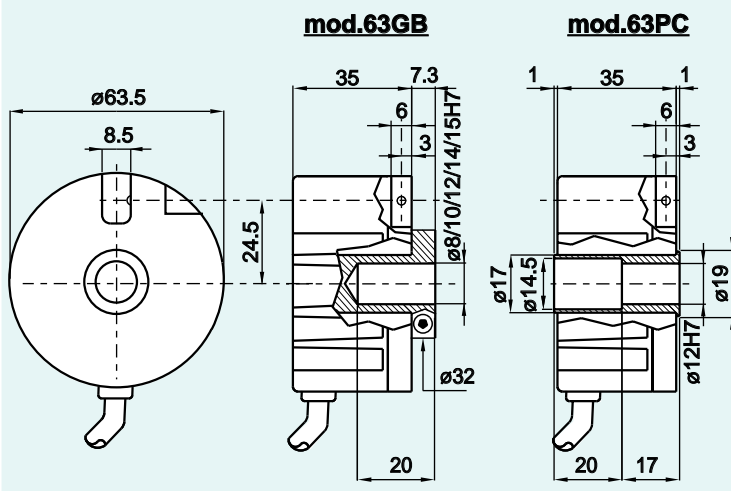
EH-EL63F / 63G



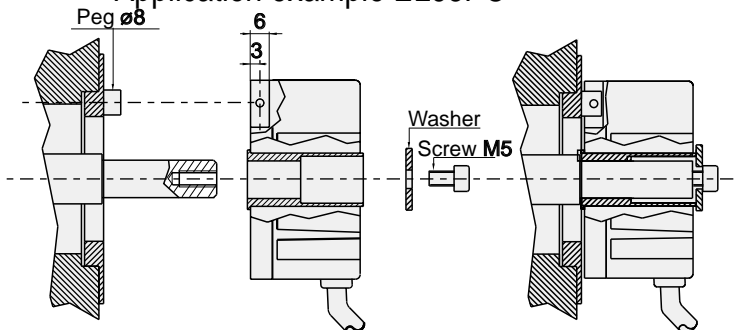
EH-EL63P



EH-EL63 GB / PC in execution



Application example EL63PC



Electronic Characteristics EL series

Resolutions	from 1 to 10000 impulses/turn for EL63F/G from 1 to 2048 impulses/turn for EL63P
Power supply	5 ÷ 28 Vdc N.B.: LINE DRIVER only 5 / 8-24 Vdc power supply
Current consumption without load	80 mA
Max output current	50 mA per channel 20 mA per channel with LINE DRIVER
Electronic output configuration	NPN / NPN OPEN COLLECTOR / PUSH PULL / LINE DRIVER
Max output frequency	Max 300 KHz $F = \frac{\text{RPM} \times \text{Resolutions}}{60}$

Electronic Characteristics EH series

Resolutions	from 40 to 1024 impulses/turn for EH63F/G
Power supply	5 Vdc / 8 ÷ 24 Vdc N.B.: LINE DRIVER only 5 / 8-24 Vdc power supply
Current consumption without load	50 mA per channel 20 mA per channel with LINE DRIVER
Max commutable current	50 mA per channel 20 mA per channel with LINE DRIVER
Electronic output configuration	NPN / NPN OPEN COLLECTOR / PUSH PULL / LINE DRIVER
Max output frequency	Max 100 KHz $F = \frac{\text{RPM} \times \text{Resolutions}}{60}$

Mechanical Characteristics

Shaft diameter (mm)	ø8 - ø10 - ø12 - ø14 - ø15 H7
Protection	Standard IP54 IP66 for mod.G
R.P.M. Max	3000 continuous
Shock	50 G per 11 msec (with flexible disc) 20 G per 11 msec (with glass disc)
Vibrations	10G 10 ÷ 2000 Hz
Bearings life	10 ⁹ revolutions
Bearings	n°2 ball bearings
Shaft Material	Stainless steel AISI303
Body Material	Aluminium NI 5076
Cover Material	Special plastic reinforced with glass fibre
Operating Temperature	0° ÷ +60°C
Storage Temperature	-25° ÷ +70°C
Weight	350 g

IN007GB0803A

