

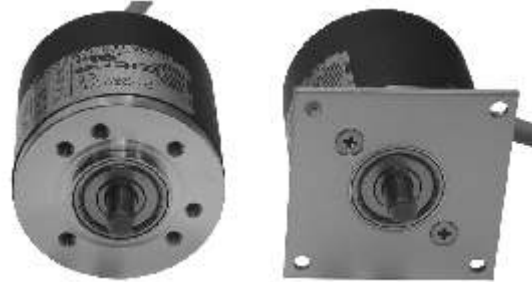


# EA40A / B SINGLETURN ABSOLUTE ENCODER

## Absolute Encoders

Absolute encoder with reduced dimensions has the following characteristics:

- Resolutions up to 256 imp/turn (8 bit).
- Different electronic configurations with power supply up to 28 Vdc.
- Output cable.
- Speed rotation up to 6000 rpm.
- Protection IP66.



Singleturn Absolute Encoders

## Ordering codes

**EA 40 A 256 G 8/28 R P 6 X 6 P R . XXX**

In case of particular Customer variant separate by a full stop

**EA** = singleturn absolute encoder

**40** = body dimension

**A** = mod.EA40A  
**B** = mod.EA40B  
Type of flanges

**2 / 4 / 8 / 16 / 32 / 64 / 128 / 256 / 90 / 180**  
Resolutions  
N.B.: For impulse availability contact our offices

**G** = Gray  
Code

**5 / 8 ÷ 28**  
Encoder power supply (Vdc)

**N** = NPN (Standard negative logic)  
**C** = NPN OPEN COLLECTOR (Standard negative logic)  
**R** = PNP (Standard positive logic)  
**U** = PNP OPEN COLLECTOR (Standard positive logic)  
Electronics output configuration  
N.B.: For the optionals on the output configurations contact our offices

**XXX** = Particular Customer variants indicated by a progressive number from 001 to 999

**R** = radial  
**A** = axial

**P** = output cable (standard length 0.5 m)

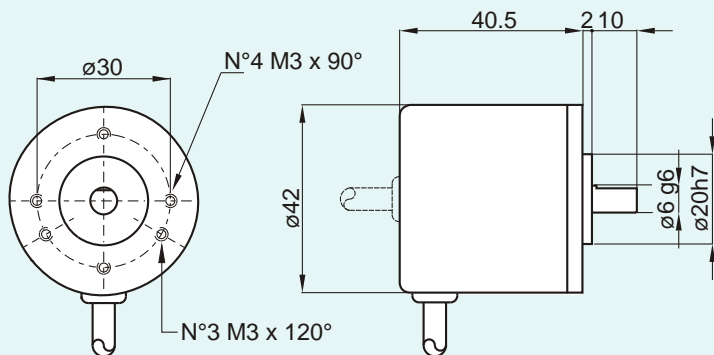
**3** = 3000 with IP66  
**6** = 6000 max  
R.P.M.

**X** = standard IP54  
**S** = optional IP66  
Protection

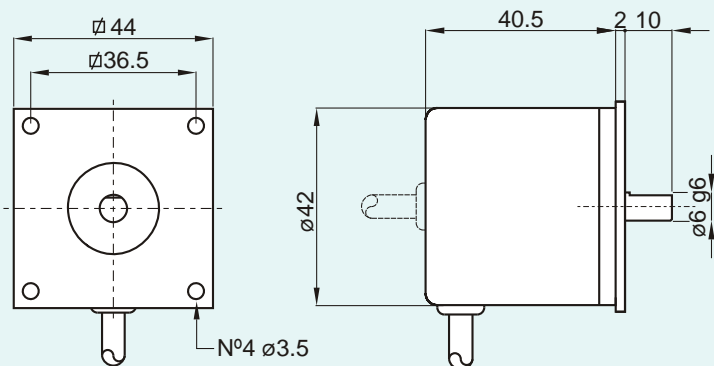
**6** = ø6 mm  
Shaft diameter

**N** = Negative  
**P** = Positive  
Logics

### EA40A



### EA40B



### Electronic Characteristics

<b>Resolution</b>	2 / 4 / 8 / 16 / 32 / 64 / 128 / 256 90 / 180
<b>Power supply</b>	5 Vdc / 8 ÷ 28 Vdc
<b>Current consumption without load</b>	150 mA
<b>Max commutable current</b>	40 mA per channel
<b>Electronic output configuration</b>	NPN / NPN OPEN COLLECTOR / PNP / PNP OPEN COLLECTOR
<b>Max output frequency</b>	100 KHz output code
<b>Code</b>	GRAY

### Caratteristiche Meccaniche

<b>Shaft diameter (mm)</b>	ø6 g6
<b>Protection</b>	IP54 Standard IP66 Optional
<b>R.P.M. Max</b>	3000 with IP66 6000
<b>Max shaft load</b>	5N (0.5 Kp) axial 5N (0.5 Kp) radial
<b>Shock</b>	50 G per 11 msec
<b>Vibrations</b>	10G 10 ÷ 2000 Hz
<b>Bearings life</b>	10 <sup>9</sup> revolutions
<b>Bearings</b>	n°2 ball bearings
<b>Shaft material</b>	Stainless steel AISI303
<b>Body material</b>	Aluminium D11S - UNI 9002/5
<b>Cover material</b>	Special plastic reinforced with glass fibre
<b>Operating Temperature</b>	0° ÷ +60°C
<b>Storage Temperature</b>	-15° ÷ +70°C
<b>Weight</b>	100 g

## Connections and standard colours

CABLE COLOURS	FUNCTION	G
green	bit 1 (LSB)	G <sup>0</sup>
yellow	bit 2	G <sup>1</sup>
blue	bit 3	G <sup>2</sup>
brown	bit 4	G <sup>3</sup>
pink	bit 5	G <sup>4</sup>
white	bit 6	G <sup>5</sup>
gray	bit 7	G <sup>6</sup>
violet	bit 8	G <sup>7</sup>
	/	/
	/	/
	/	/
red-blue	U / D	/
black	0 Volt	/
red	+ Vdc	/

AS000GB0803A

