



Servomotor MP66

Servomotor MP66

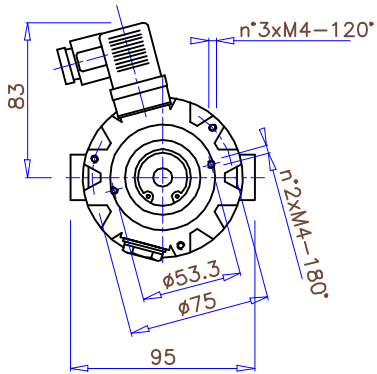
0.7-2.1Nm

Data sheet -----

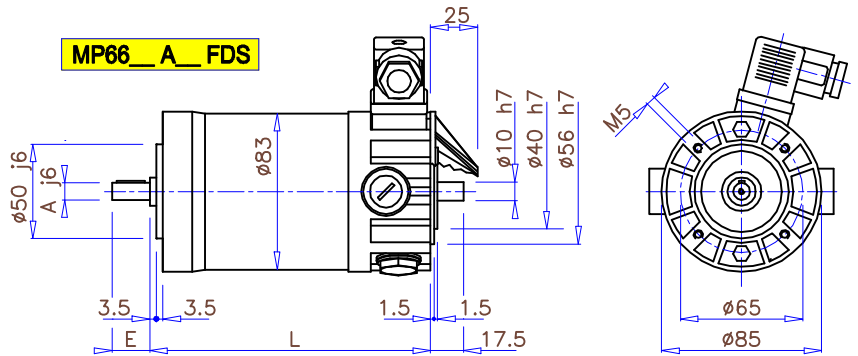
Degree of protection IP54 - flange mounting - N class dynamic balancing

Enclosed no ventilated - all mounting position

Ambient temperature max.+40°C - F and H class insulation for tropical climates

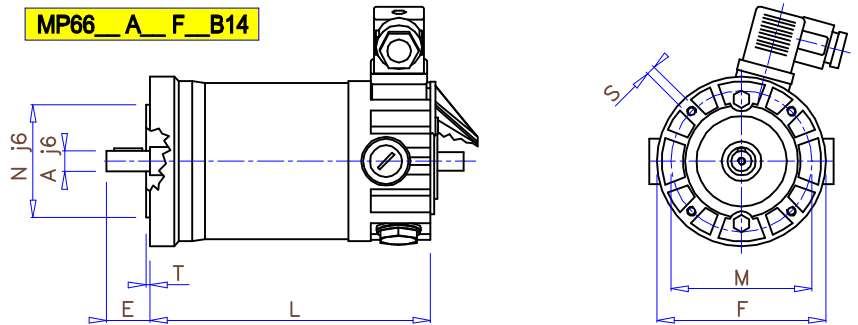


MP66_A_FDS



flange B14				
F	N	M	T	S
80	50	65	2	M5
90	60	75	2	M5
105	70	85	2	M6

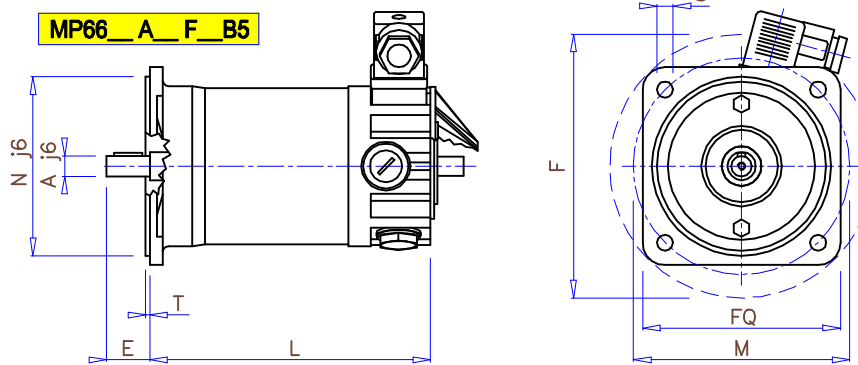
MP66_A_F_B14



type	L
MP66S	149
MP66M	196
MP66L	241

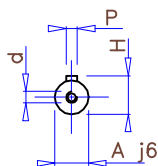
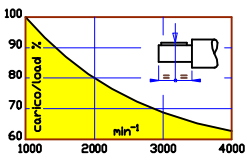
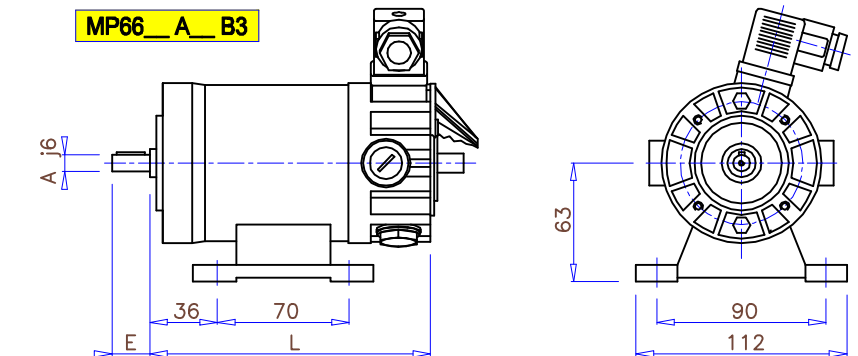
flange B5					
F	FQ	N	M	T	S
120	90x90	80	100	3	7
-	105x105	95	115	2.5	8.5
-	120x120	110	130	2.5	9

MP66_A_F_B5



shafts				
A	E	P	H	d
9	20	3x3x13	10.2	M3x8
11	23	4x4x15	12.5	M4x10
14	30	5x5x20	16	M5x12

MP66_A_B3



type	MP66
Radial load at 1000min⁻¹: 300N	
Axial load: 1/10 Radial load	