



Servomotor MP44 - MP40

Servomotor MP44 - MP40

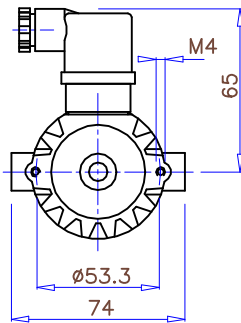
0.2-0.45Nm

Data sheet -----

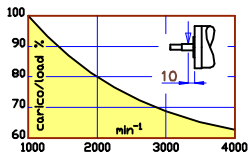
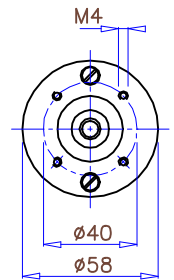
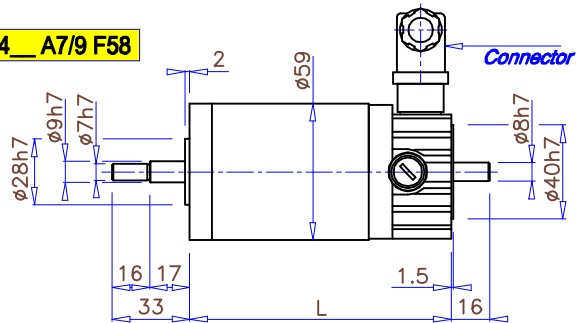
Degree of protection IP54 - flange mounting - N class dynamic balancing

Enclosed no ventilated - all mounting position

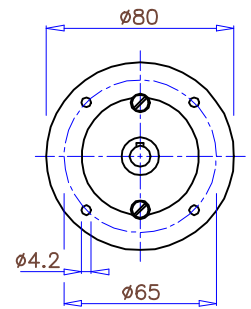
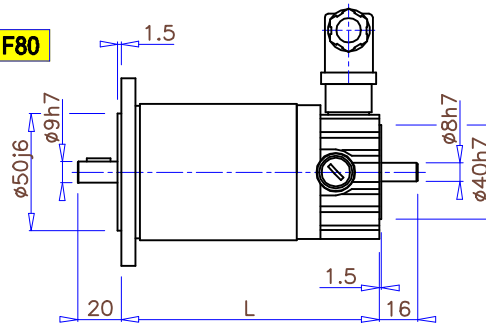
Ambient temperature max.+40°C - F and H class insulation for tropical climates



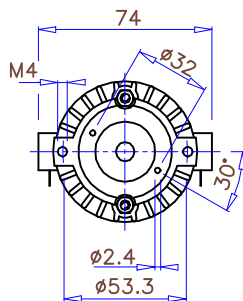
MP44__ A7/9 F58



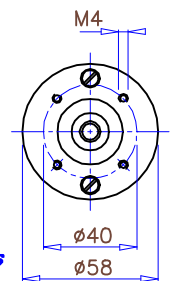
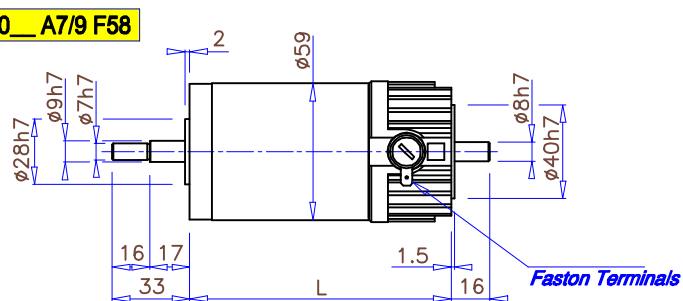
MP44__ A9 F80



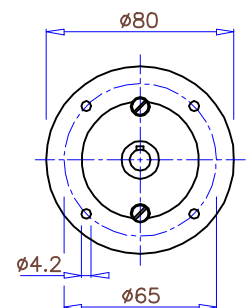
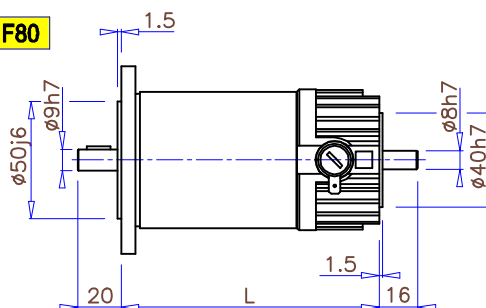
type MP44-40	
Carico radiale a 1000min ⁻¹ : 160N	Radial load at 1000min ⁻¹ : 160N
Carico assiale : 1/10 Carico radiale	Axial load : 1/10 Radial load



MP40__ A7/9 F58



MP40__ A9 F80



type	L
MP44M-40M	112
MP44L-40L	132
MP44XL-40XL	163