



### TECHNICAL DATA

<b>Resolution</b>	500, 1000 pulses/revolution
<b>Signal form</b>	Square wave signal
<b>Output signals</b>	WEDS: Phase A, B, I WEDL: Phase A, A', B, B', I, I'
<b>Operating voltage</b>	5 VDC
<b>Current consumption</b>	≤60 mA
<b>Limit frequency</b>	100 KHz
<b>Limit speed</b>	1000 pulses/revolution = 6000 rpm, 500 pulses/revolution = 12000 rpm
<b>Pulse width</b>	90° ± 45°
<b>Signal level</b>	VH 85% VCC, VL ≤0.3 V
<b>Max. output current per channel</b>	±150 mA, recommended working current ±20
<b>Working temperature</b>	-25 °C to 100 °C
<b>Storage temperature</b>	-40 °C to 100 °C
<b>Humidity</b>	30 to 85%, non-condensing

### VERSIONS

Type	Index	Line Driver	Signal Voltage V	Cycles per Revolution
WEDL5541-A	Yes	Yes	5	500
WEDL5541-B	Yes	Yes	5	1000
WEDS5541-A	Yes	No	5	500
WEDS5541-B	Yes	No	5	1000

### ORDER IDENTIFIER

**WEDL5541-A**  
 14 = 5 mm Shaft Diameter  
 06 = 6.35 mm Shaft Diameter

### ACCESSORIES

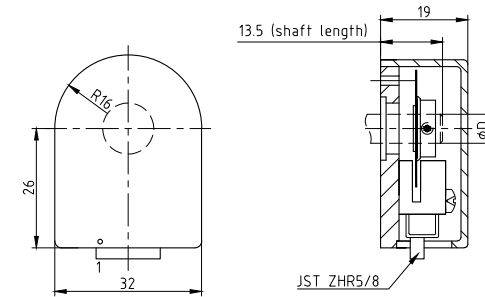
- ZK-WEDL-8-1000-S Encoder Cable
- ZK-WEDL-8-2000-S Encoder Cable
- ZK-WEDL-8-500 Encoder Cable
- ZK-WEDL-8-500-S Encoder Cable
- ZK-WEDS-300-S-SMCI35 Encoder Cable
- ZK-WEDS-5-150-S Encoder Cable
- ZK-WEDS-5-500 Encoder Cable
- ZK-WEDS-5-500-S Encoder Cable

### CAUTION

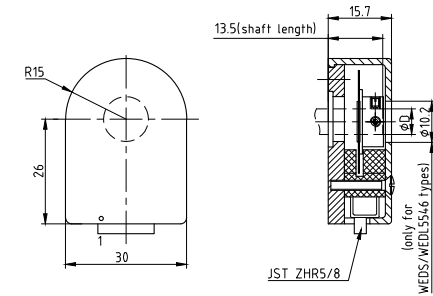
To mount the encoder the Nanotec Mounting KIT is required. Please refer to our website for ordering.

### DIMENSIONS (IN MM)

WEDL-WEDS5541 (1000 Ink.)



WEDL-WEDS5541 (500 Ink.)





### TECHNICAL DATA

<b>Resolution</b>	500, 1000, 2000 pulses/revolution
<b>Signal form</b>	Square wave signal
<b>Output signals</b>	Phase A, A\, B, B\, I, I\
<b>Operating voltage</b>	5 VDC (7 VDC max.)
<b>Current consumption</b>	typical 100 mA
<b>Limit frequency</b>	60 KHz (500 CPR), 120 KHz (1000 CPR), 240 KHz (2000 CPR)
<b>Limit speed</b>	6600 rpm
<b>Pulse width</b>	180 ° ± 50 °
<b>Phase shift</b>	90 ° ± 50 °
<b>Signal level</b>	Low 0 V; High: +3,5 V (±10%, without lead), +3 V (±10%, with lead 20 mA)
<b>Max. output current per channel</b>	± 150 mA, recommended working current ±20
<b>Working temperature</b>	-20 to 85 °C
<b>Storage temperature</b>	-40 to 85 °C
<b>Humidity</b>	Max. 90%, non-condensing

### VERSIONS

Type	Index	Line Driver	Signal Voltage V	Cycles per Revolution
NOE1-05-A	Yes	Yes	5	500
NOE1-05-B	Yes	Yes	5	1000
NOE1-05-C	Yes	Yes	5	2000

### ORDER IDENTIFIER

**NOE1-05-A**  
12 = 6 mm, Type: Hollow Shaft  
14 = 5 mm Shaft Diameter



### ACCESSORIES

**ZK-NOE1-10-500-S** Encoder Cable  
**ZK-NOE1-10-2000-S** Encoder Cable



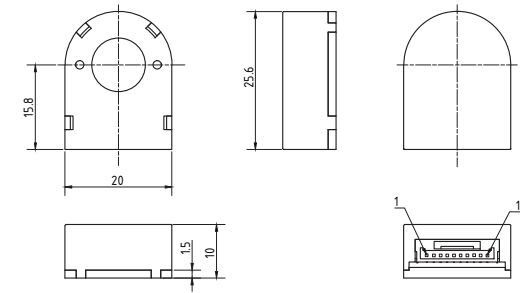
### CAUTION

Please note that the NOE1 encoders are only available together with a motor and must be mounted by Nanotec.



### DIMENSIONS (IN MM)

NOE1





### TECHNICAL DATA

	NOE2-05	NOE2-24
<b>Resolution</b>	1000, 2000, 4000 pulses/revolution	1000, 2000, 4000 pulses/revolution
<b>Signal form</b>	Square wave signal	Square wave signal
<b>Output signals</b>	Phase A, A\, B, B\, I, I\	Phase A, A\, B, B\, I, I\
<b>Operating voltage</b>	DC 4.5 V to 5.5 V	24 VDC
<b>Current consumption</b>	typical 30 mA	typical 15 mA
<b>Limit frequency</b>	60 KHz (1000 CPR), 120 KHz (2000 CPR), 240 KHz (4000 CPR)	60 KHz (1000 CPR), 120 KHz (2000 CPR), 240 KHz (4000 CPR)
<b>Limit speed</b>	3600 rpm	3600 rpm
<b>Pulse width</b>	180 ° ± 30 °e	180 ° ± 30 °e
<b>Phase shift</b>	90 ° ± 18 °e	90 ° ± 18 °e
<b>Signal level</b>	Low: 0 V; high: +3.5 V (±10 %, without lead), +3 V (±10 %, with lead 20 mA)	Low: 0 V, high: Vcc-0.5 V
<b>Max. output current per channel</b>	150 mA	200 mA
<b>Working temperature</b>	-20 to 85 °C	-20 to 85 °C
<b>Storage temperature</b>	-40 to 85 °C	-40 to 85 °C
<b>Humidity</b>	Max. 90%, non-condensing	Max. 90%, non-condensing

### VERSIONS

Type	Index	Line Driver	Signal Voltage V	Cycles per Revolution
NOE2-05-B	Yes	Yes	5	1000
NOE2-05-K	Yes	Yes	5	4000
NOE2-24-B	Yes	Yes	24	1000
NOE2-24-K	Yes	Yes	24	4000

### ORDER IDENTIFIER

**NOE2-05-B**  
 14 = 5 mm Shaft Diameter  
 06 = 6.35 mm Shaft Diameter  
 10 = 10 mm, Type Hollow Shaft  
 15 = 15 mm, Type Hollow Shaft

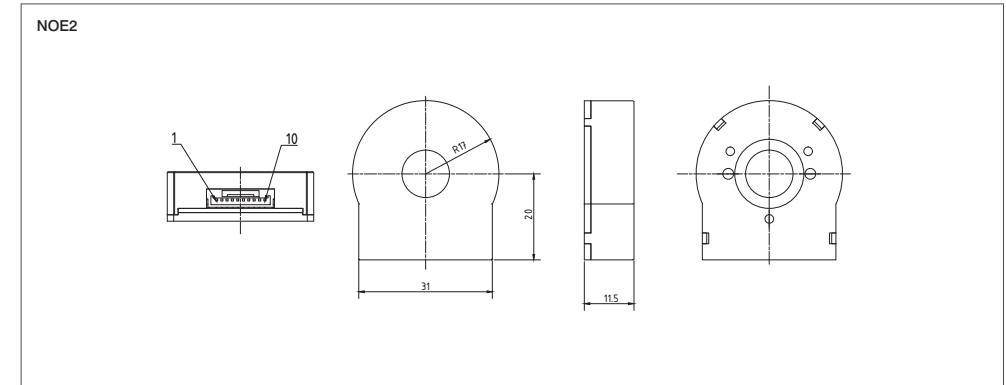
### ACCESSORIES

**ZK-NOE1-10-500-S** Encoder Cable

### CAUTION

Please note that the NOE1 encoders are only available together with a motor and must be mounted by Nanotec.

### DIMENSIONS (IN MM)





TECHNICAL DATA

<b>Resolution</b>	max. 1024 CPR/4096 PPR, 12 Bit absolute
<b>Signal form</b>	Square wave signal, sine/cosine
<b>Output signals</b>	NME1-USW: A <sub>v</sub> /A, B <sub>v</sub> /B, I <sub>v</sub> /I, H1, H2, H3, NME1-SSI: sine, cosine, SSI (12 Bit)
<b>Operating voltage</b>	+5 bis +24 VDC, ±10%
<b>Limit frequency</b>	1000 HZ for sine signal and 500 HZ for 4096 interpolation
<b>Limit speed</b>	30.000 rpm
<b>Pulse width</b>	180 ° ± 30 °e
<b>Phase shift</b>	90° ± 18 °e
<b>Signal level</b>	incremental signal - low: 0 V, high: Vcc-0.5 V SSI: TTL, sine/cosine: 1.5 V ± 0.8 V
<b>Max. output current per channel</b>	150 mA
<b>Working temperature</b>	-20 to 85 °C
<b>Storage temperature</b>	-40 to 85 °C
<b>Humidity</b>	Max. 90 %, non-condensing

VERSIONS

Type	Index	Line Driver	Signal Voltage V	Cycles per Revolution
NME1-UVWT	Yes	Yes	5-24	1024

ORDER IDENTIFIER



ACCESSORIES



CAUTION

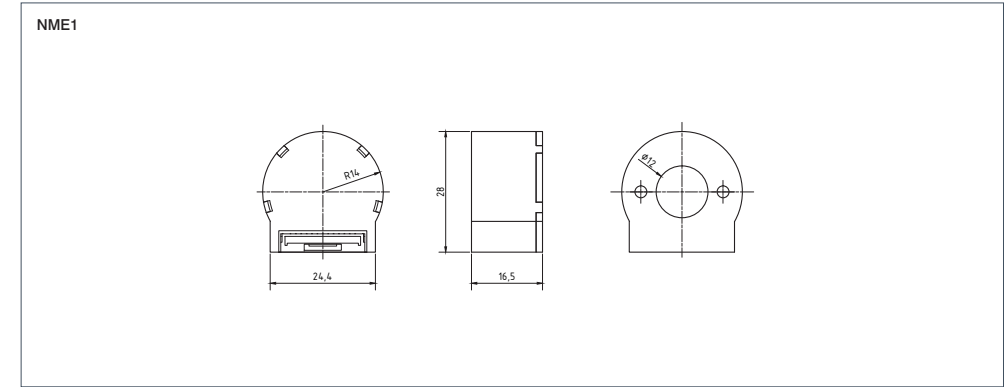


**NME1-UVW-T**  
06 = 5 mm Shaft Diameter  
14 = 6.35 mm Shaft Diameter

**ZK-NME1-13-500-S** Encoder Cable

Please note that the NOE1 encoders are only available together with a motor and must be mounted by Nanotec.

DIMENSIONS (IN MM)



Distributeur Nederland:

Motion Control Systems b.v.  
Specialist in Motion control.  
Touwslagerij 19 4762AT Zevenbergen  
Tel: 0168 325077 - Fax 0168 328134  
info@motion.nl - www.motion.nl

Product advies en technische info: [service@motion.nl](mailto:service@motion.nl)  
Bestellingen doorsturen naar : [sales@motion.nl](mailto:sales@motion.nl)

**EUROPE:**

Nanotec Electronic GmbH & Co. KG  
Kapellenstraße 6  
85622 Feldkirchen/Munich, Germany

Phone: +49 (0) 89 900 686-0  
Fax: +49 (0) 89 900 686-50  
E-mail: [info@nanotec.de](mailto:info@nanotec.de)

**NORTH AMERICA:**

Nanotec Electronic, U.S., Inc.  
98 Sheridan Avenue  
Medford, MA 02155 USA

Phone: +1 781 219 33 43  
Fax: +1 781 498 13 44  
E-mail: [info@us.nanotec.com](mailto:info@us.nanotec.com)

**ASIA:**

Nanotec Electronics (ChangZhou) Co., Ltd.  
Building 1,18 QingJiang Road, New District  
ChangZhou City, JiangSu Province  
P.R. China 213022

Phone: +86 519 830 211 77  
Fax: +86 519 830 211 17  
E-mail: [info@cn.nanotec.com](mailto:info@cn.nanotec.com)